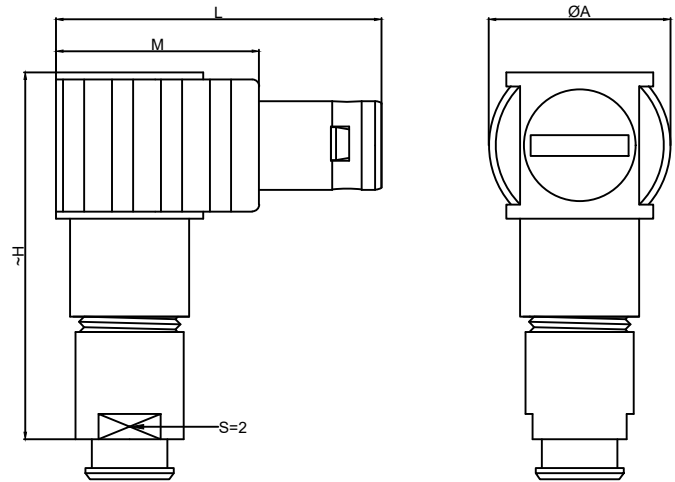


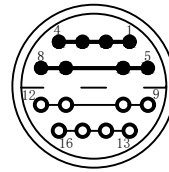
1.View and size(视图及尺寸)

Main technical indicators(主要技术指标)	
1.Mating (插拔次数)	5000
2.Working Temperature (温度)	-55~+150 °C
3.IP Rating (防护级别)	IP 50
4.Diameter of socket end(插合端直径)	ø0.9MM
5.Vtest (AC) /测试电压(交流)	1000V
6.Vtest (DC) /测试电压(直流)	1500V
7.Rated Current (额定电流)	7A
8.Shell material(壳体材质)	Brass (chrome plated) shell and collet nut, nickel plated brass latch sleeve and mid pieces /黄铜 (镀铬)外壳和夹头螺母, 镀镍黄铜锁套和中间件
9.Pin Material(插针材料)	Copper alloy gold plating(铜合金镀金)
10.Insulator material(绝缘体材质)	PPS

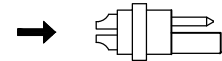


	A	L	M	H	S2
MM	21	38.5	23.5	44	14
in	0.83	1.52	0.93	1.73	0.55

Sum up(总结)	
Series(系列)	S
Shell style/model (外壳样式/型号)	TLA: Elbow plug, cable collet/弯头插头、电缆夹头
Button (按键)	Hermaphroditic keying (half moon insert) with male pin 1/带公销1的公母键控 (半月形插入)
Termination type (终止类型)	Male solder(公焊锡)
Line diameter awg(线材直径)	30AWG-22AWG
Cable diameterø (电缆直径)	ø9.3-10MM
Matching parts(配套零件)	ZRA.3S.P16.CLL



Welded surface (焊接面)



Solder core (焊接型胶芯)

Sum up(总结)	
Humidity (max)/湿度最大	<=95% [at 60 deg C /140 F] /<=95%[在60摄氏度/140摄氏度时]
Vibration/震动	15g [10 Hz - 2000 Hz]
Shock Resistance/抗冲击性	100 g [6 ms]
Climatical Category /气候类别	50/175/21
Salt Spray Corrosion/盐雾测试	>48 hr />48小时

	A	B	C√	ANGLE	
5-10	±0.02	±0.05	±0.1	0°-30°	±0.1°
50-100	±0.1	±0.15	±0.2	61°-90°	±0.5°
50-100	±0.15	±0.2	±0.25		
100-	±0.15%	±0.20%	±0.25%		

TLA. 3S. P16.C L A C 10 H

Model(型号)	TLA
Series(系列)	3S
Needle core configuration(针芯配置)	P16
Outer casing(外壳)	C
Insulator(绝缘体)	L
Needle core(针芯)	A
Type of clamp(线夹类型)	C
Cable diameter(电缆直径)	10

SH means a sheath type, not a cover type.
(H表示护套型, 不表示为不带护套型)

DESIGNED(设计)	DATE(日期)	SCALE(比额)	N/A(不适用)	MODEL TYPE 型号类型: TLA.3S.P16.CLAC.10H
CHECKED(校对)	DATE(日期)	VIEW(视图)		PART NO. 3S16-core plug 名称: 3S16芯插头
APPROVED(审核)	DATE(日期)	UNIT(单位)	MM	DWG NO.:
REVISIONS		MATERIAL (材料)		
www.hellokb.com www.hellokb.cn		XKB INDUSTRIAL PRECISION CO.,LIMITED		WEIGHT(重量) SHEET(表) REVISION(修订) 1/1 A0