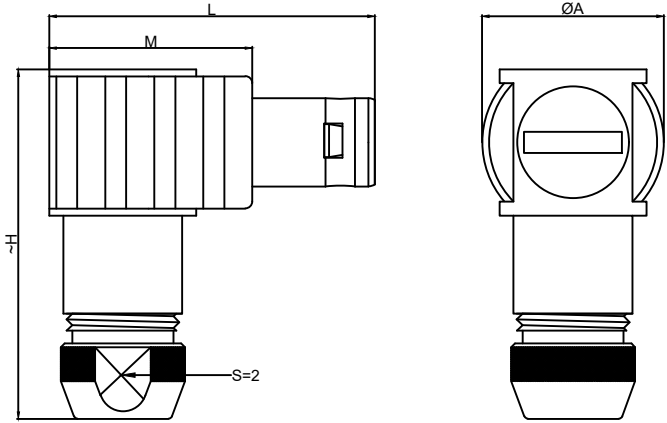


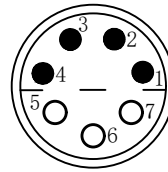
# 1.View and size(视图及尺寸)

| Main technical indicators(主要技术指标) |  |
|-----------------------------------|--|
| 1.Mating (插拔次数)                   | 5000   |
| 2.Working Temperature (温度)        | -55~+150 °C  |
| 3.IP Rating (防护级别)                | IP 50  |
| 4.Diameter of socket end(插合端直径)   | ø1.3MM   |
| 5.Vtest (AC) /测试电压(交流)            | 1000V  |
| 6.Vtest (DC) /测试电压(直流)            | 1500V  |
| 7.Rated Current (额定电流)            | 12A  |
| 8.Shell material(壳体材质)            | Brass (chrome plated ) shell and collet nut, nickel plated brass latch sleeve and mid pieces /黄铜 (镀铬)外壳和夹头螺母, 镀镍黄铜锁套和中间件 |
| 9.Pin Material(插针材料)              | Copper alloy gold plating(铜合金镀金)   |
| 10.Insulator material(绝缘体材质)      | PPS  |

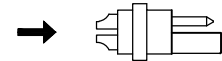


|    | A    | L    | M    | H    | S2   |
|----|------|------|------|------|------|
| MM | 21   | 38.5 | 23.5 | 44   | 14   |
| in | 0.83 | 1.52 | 0.93 | 1.73 | 0.55 |

| Sum up(总结)                  |  |
|-----------------------------|--|
| Series(系列)                  | S  |
| Shell style/model (外壳样式/型号) | TLA: Elbow plug, cable collet/弯头插头、电缆夹头                                    |
| Button (按键)                 | Hermaphroditic keying (half moon insert) with male pin 1/带公销1的公母键控 (半月形插入) |
| Termination type (终止类型)     | Male solder(公焊锡)   |
| Line diameter awg(线材直径)     | 28AWG-20AWG  |
| Cable diameterø (电缆直径)      | ø3.3-4.2MM   |
| Matching parts(配套零件)        | ZRA.3S.P07.CLL   |



Welded surface (焊接面)



Solder core (焊接型胶芯)

| Sum up(总结)                |   |
|---------------------------|---|
| Humidity (max)/湿度最大       | <=95% [at 60 deg C /140 F] /<=95%[在60摄氏度/140摄氏度时] |
| Vibration/震动              | 15g [10 Hz - 2000 Hz]                             |
| Shock Resistance/抗冲击性     | 100 g [ 6 ms]                                     |
| Climatical Category /气候类别 | 50/175/21   |
| Salt Spray Corrosion/盐雾测试 | >48 hr/>48小时                                      |

|        | A      | B      | C√     | ANGLE   |       |
|--------|--------|--------|--------|---------|-------|
| 5-10   | ±0.02  | ±0.05  | ±0.1   | 0°-30°  | ±0.1° |
| 50-100 | ±0.1   | ±0.15  | ±0.2   | 61°-90° | ±0.5° |
| 50-100 | ±0.15  | ±0.2   | ±0.25  |         |       |
| 100-   | ±0.15% | ±0.20% | ±0.25% |         |       |

TLA. 3S. P07.C L A C 42

Model(型号)

Series(系列)

Needle core configuration(针芯配置)

Outer casing(外壳)

Insulator(绝缘体)

Needle core(针芯)

Type of clamp(线夹类型)

Cable diameter(电缆直径)

|                                |  |          |                                      |               |          |  |
|--------------------------------|--|----------|--------------------------------------|---------------|----------|--|
| DESIGNED (设计)                  |  | DATE(日期) |                                      | SCALE(比额)     | N/A(不适用) | MODEL TYPE<br>型号类型: TLA.3S.P07.CLAC.42     |
| CHECKED (校对)                   |  | DATE(日期) |                                      | VIEW(视图)      |          | PART NO. 3S7-core plug<br>名称: 3S7芯插头       |
| APPROVED (审核)                  |  | DATE(日期) |                                      | UNIT(单位)      | MM       | DWG NO.:                                   |
| REVISIONS                      |  |          |                                      | MATERIAL (材料) |          |  |
| www.helloxb.com www.helloxb.cn |  |          | XKB INDUSTRIAL PRECISION CO.,LIMITED |               |          | WEIGHT(重量) SHEET(表) REVISION(修订)<br>1/1 A0 |